

Special High Grade Zinc (SHG) 99.99%

Technical Datasheet

Uses

Zinc ingots of high purity (99.99%) for tube, wire, sheet or general galvanizing.

Nyrstar Special High Grade Zinc 99.99% is an LME-approved brand, conforming to the specifications covering quality, shape and weight as defined by the special contract rules of the LME Standards.

Chemical specification

| Chemical specification | Guaranteed analysis |
|------------------------|---------------------|
| Pb | ≤ 0.003% |
| Cd | ≤ 0.003% |
| Fe | ≤ 0.002% |
| Sn | ≤ 0.001% |
| Cu | ≤ 0.002% |
| Al | ≤ 0.002% |
| Zn | min. 99.99% |

Standards

| Standard | Grade |
|---------------------|-------|
| American ASTM B6:07 | SHG |

Physical data

| Physical property | Unit | Value |
|-------------------------------|--------------------|-------|
| Density solid | kg/dm ³ | 7.14 |
| Liquid (@ 419°C) | kg/dm ³ | 6.62 |
| Melting point | °C | 419 |
| Superficial tension (@ 450°C) | N/m | 0.78 |
| Melting enthalpy | KJ/kg | 100 |
| Thermal capacity solid | J/kg K | 460 |
| liquid | J/kg K | 628 |

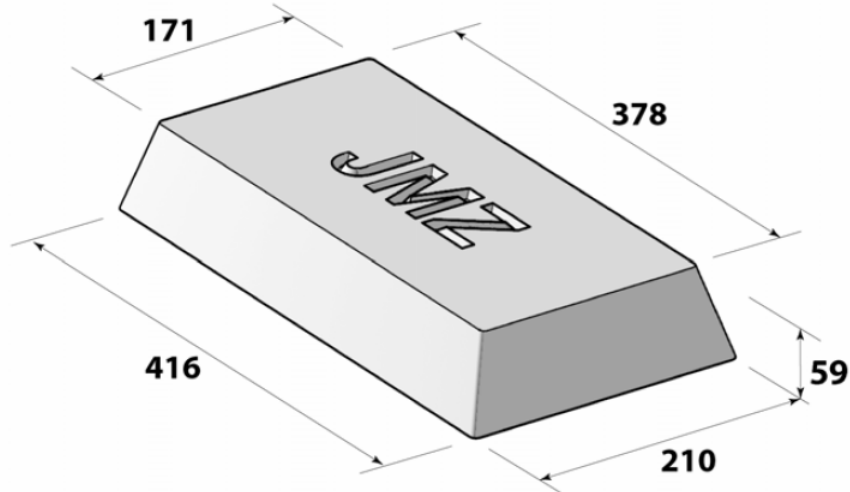
Available shapes/package

| Shape/package | Nominal weight (in kg) | Dimensions (in mm) |
|-----------------------------------|------------------------|--------------------|
| Slab | 27 | 416 x 210 x 59 |
| Slab bundle (40 slabs per bundle) | 1089 | 835 x 420 x 560 |
| ASTM Jumbo | 1089 | 1257 x 500 x 318 |

Special High Grade Zinc (SHG) 99.99% Technical Datasheet

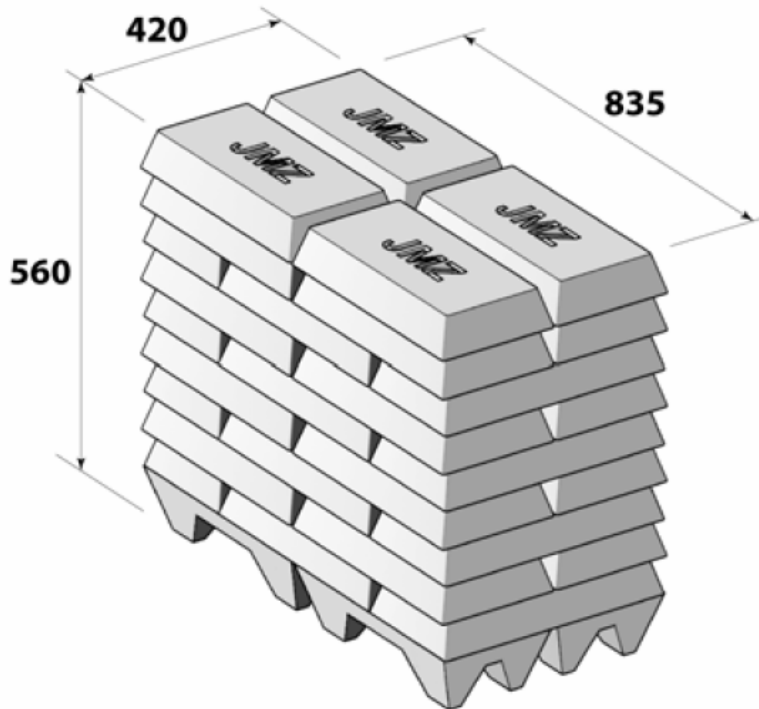
Slab

Nominal mass 27 kg
Dimensions 416 x 210 x 59



Slab bundle (40 slabs per bundle)

Nominal mass 1089 kg
Dimensions 835 x 420 x 560



Special High Grade Zinc (SHG) 99.99% Technical Datasheet

ASTM Jumbo

Nominal mass 1089 kg
Dimensions 1257 x 500 x 318

