

Zinc-Aluminium alloys (Zn-Al)

Technical Datasheet

Uses

Pre-alloyed (lead free) Zinc-Aluminium alloy is suitable for continuous galvanizing of iron and steel products.

Chemical specification

Chemical specification	Guaranteed analysis	Tolerance
Al	0.1 - 1%	± 0.05%
Pb	≤ 0.003%	
Cd	≤ 0.003%	
Fe	≤ 0.002%	
Sn	≤ 0.001%	
Cu	≤ 0.002%	
Zn	balance	

Physical data

Physical property	Unit	Value
Density solid	kg/dm ³	7.14
liquid (@ 419°C)	kg/dm ³	6.62
Melting point	°C	419
Superficial tension (@ 450°C)	N/m	0.78
Melting enthalpy	KJ/kg	100
Thermal capacity solid	J/kg K	460
liquid	J/kg K	628

Available shapes/package

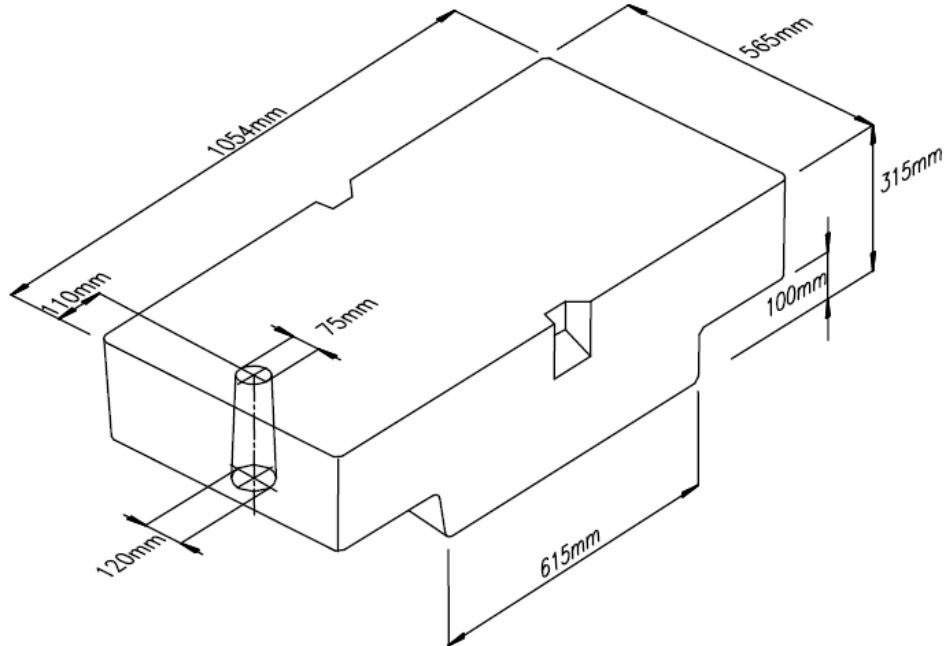
Shape/package	Nominal weight (in kg)	Dimensions (in mm)
Block Jumbo 1000 kg	1000 ± 50	1054 x 565 x 315
Block Jumbo 1450 kg	1450 ± 100	1532 x 567 x 307
Block Jumbo 1950 kg	1950 ± 100	2135 x 490 x 370
Block Jumbo 4000 kg	4000 ± 200	2380 x 615 x 505

Zinc-Aluminium alloys (Zn-Al)

Technical Datasheet

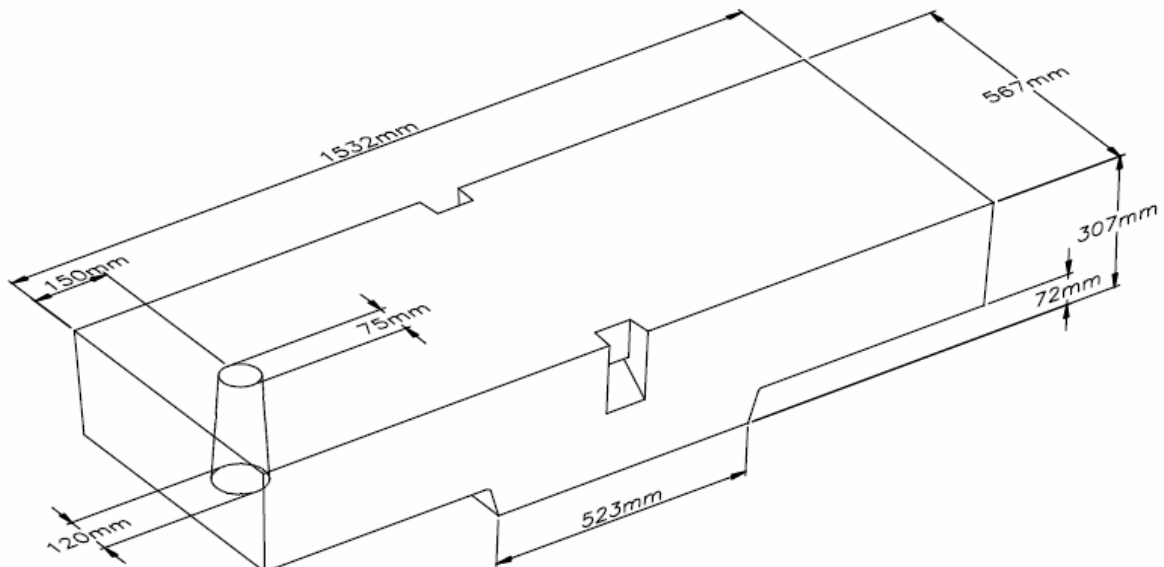
Block (jumbo) 1000 kg

Nominal mass 1000 ± 50 kg
Dimensions 1054 x 565 x 315



Block (jumbo) 1450 kg

Nominal mass 1450 ± 100 kg
Dimensions 1532 x 567 x 307

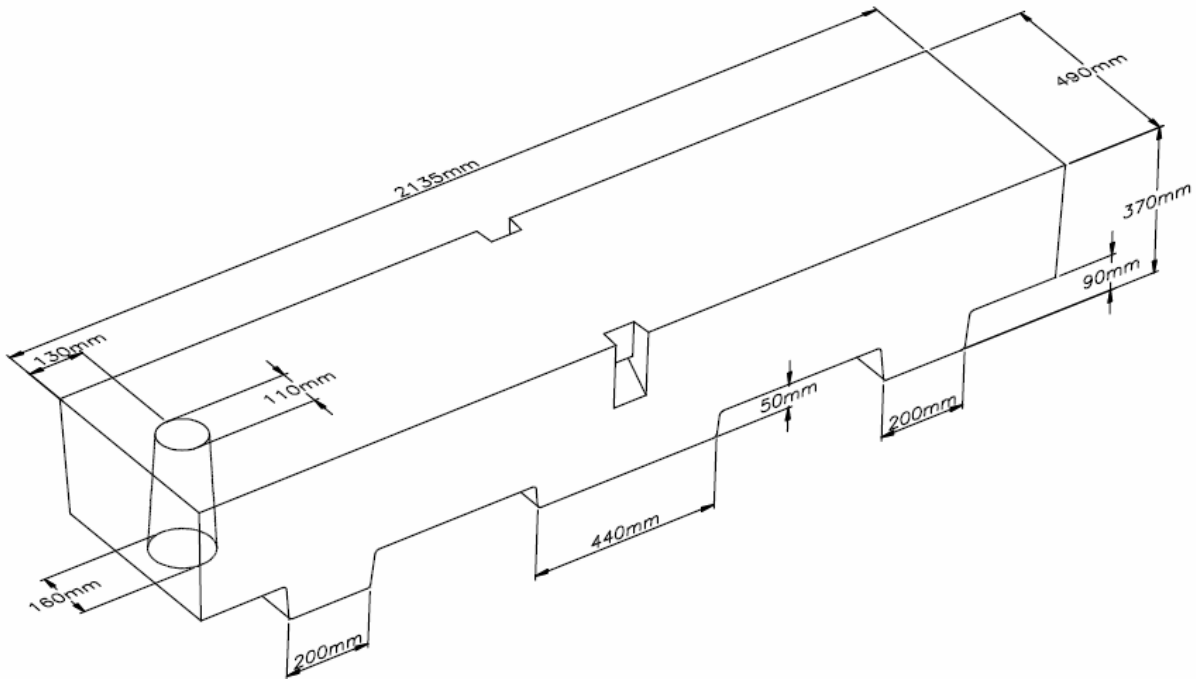


Zinc-Aluminium alloys (Zn-Al)

Technical Datasheet

Block (jumbo) 1950 kg

Nominal mass 1950 ± 100 kg
Dimensions 2135 x 490 x 370



Block (jumbo) 4000 kg

Nominal mass 4000 ± 200 kg
Dimensions 2380 x 615 x 505

