

Zinc-Aluminium alloys (Zn-Al)

Technical Datasheet

Uses

Pre-alloyed (lead free) Zinc-Aluminium alloy is suitable for continuous galvanizing of iron and steel products.

Chemical specification

Chemical specification	Guaranteed analysis	Tolerance
Al	0.25-0.80%	± 0.05%
Pb	≤ 0.003%	
Cd	≤ 0.003%	
Fe	≤ 0.002%	
Sn	≤ 0.001%	
Cu	≤ 0.002%	
Zn	balance	

Physical data

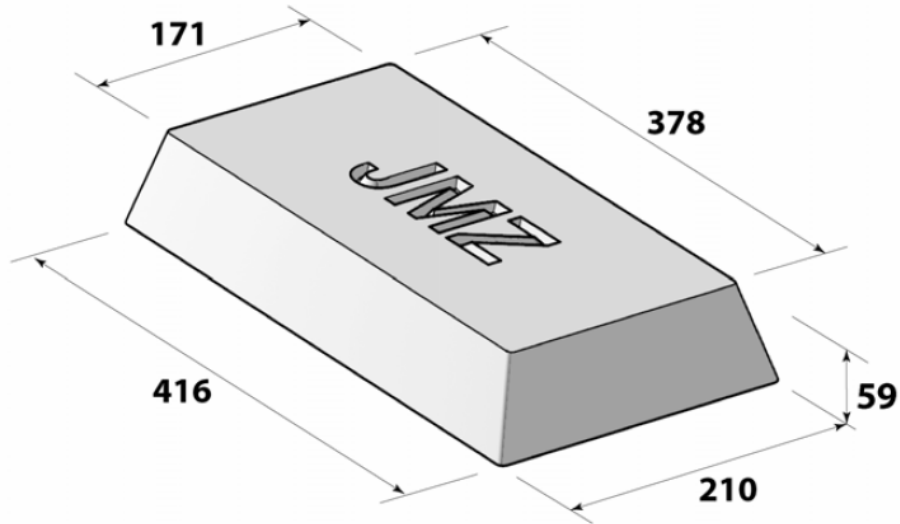
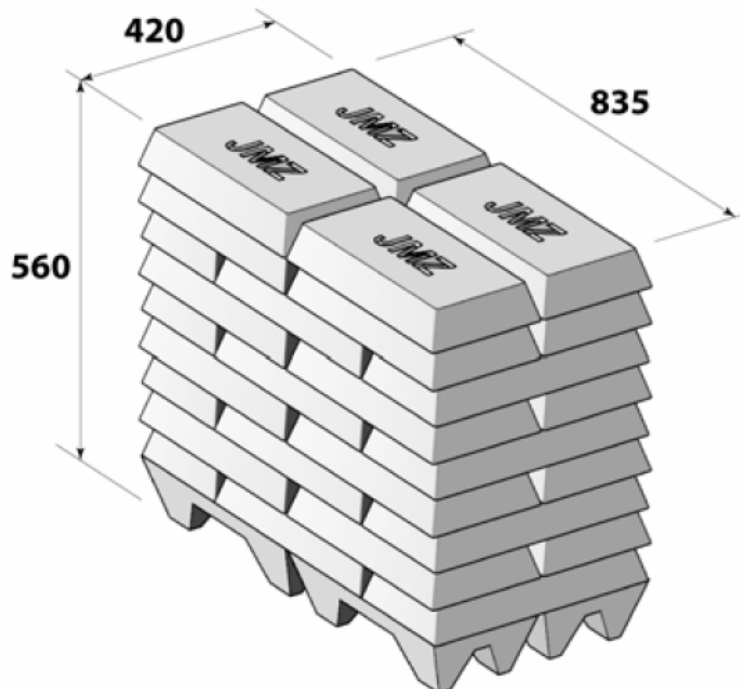
Physical property	Unit	Value
Density solid	kg/dm ³	7.14
liquid (@ 419°C)	kg/dm ³	6.62
Melting point	°C	419
Superficial tension (@ 450°C)	N/m	0.78
Melting enthalpy	KJ/kg	100
Thermal capacity solid	J/kg K	460
liquid	J/kg K	628

Available shapes/package

Shape/package	Nominal weight (in kg)	Dimensions (in mm)
Slab	27	416 x 210 x 59
Slab bundle (40 slabs per bundle)	1089	835 x 420 x 560
ASTM Jumbo	1089	1257 x 500 x 318

Zinc-Aluminium alloys (Zn-Al)

Technical Datasheet

Slab**Nominal mass 27 kg**
Dimensions 416 x 210 x 59**Slab bundle (40 slabs per bundle)****Nominal mass 1089 kg**
Dimensions 835 x 420 x 560

Zinc-Aluminium alloys (Zn-Al)

Technical Datasheet

ASTM Jumbo

Nominal mass 1089 kg
Dimensions 1257 x 500 x 318

