

Zinc-Aluminium alloys (Zn-Al)

Technical Datasheet

Uses

Pre-alloyed (lead free) Zinc-Aluminium alloy is suitable for continuous galvanizing of iron and steel products.

Chemical specification

Chemical specification	Guaranteed analysis	Tolerance
Al	0.25-0.80%	± 0.05%
Pb	≤ 0.003%	
Cd	≤ 0.002%	
Fe	≤ 0.002%	
Sn	≤ 0.001%	
Cu	≤ 0.001%	
Zn	balance	

Physical data

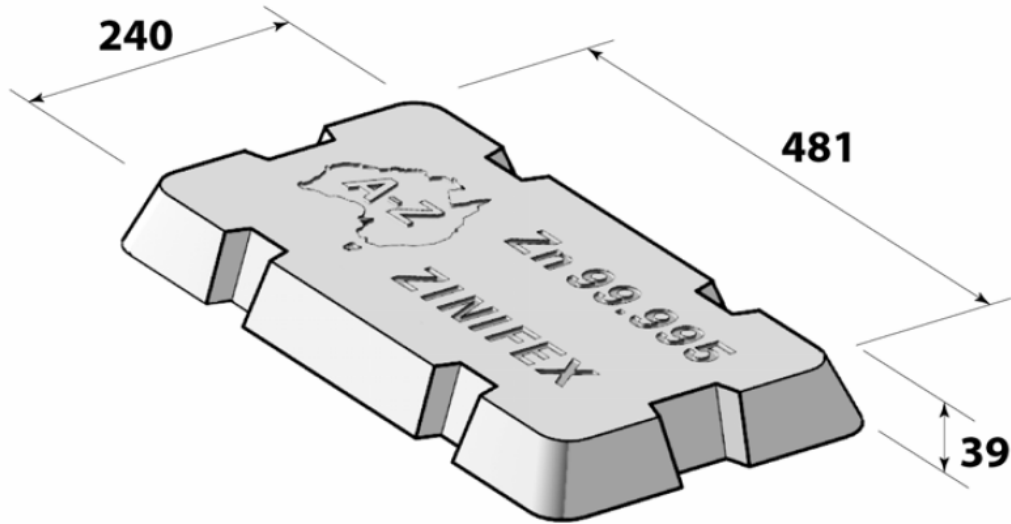
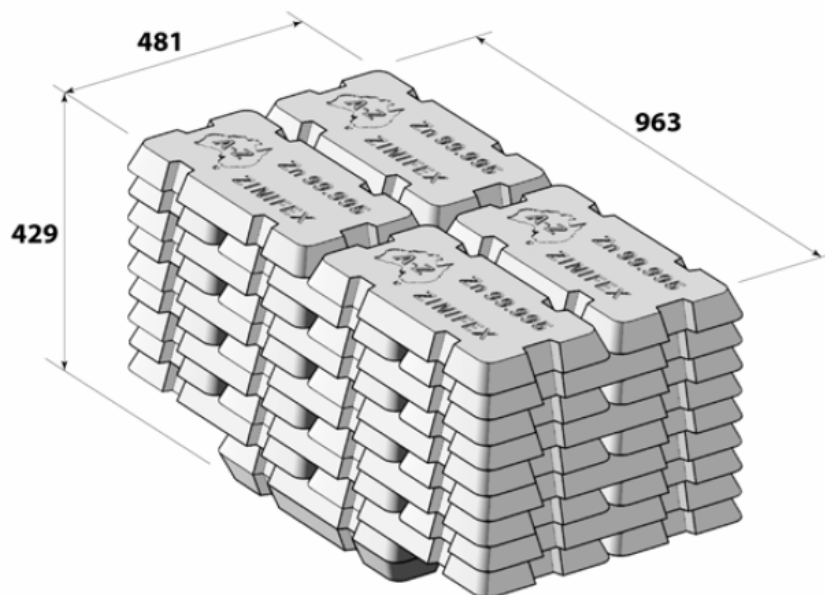
Physical property	Unit	Value
Density solid	kg/dm ³	7.14
liquid (@ 419°C)	kg/dm ³	6.62
Melting point	°C	419
Superficial tension (@ 450°C)	N/m	0.78
Melting enthalpy	KJ/kg	100
Thermal capacity solid	J/kg K	460
liquid	J/kg K	628

Available shapes/package

Shape/package	Nominal weight (in kg)	Dimensions (in mm)
Slab	26	481 x 240 x 39
Slab bundle (40 slabs per bundle)	1040	963 x 481 x 429
L block	1135 ± 45	1820 x 455 x 260
G block	1089 ± 30	1410 x 460 x 290

Zinc-Aluminium alloys (Zn-Al)

Technical Datasheet

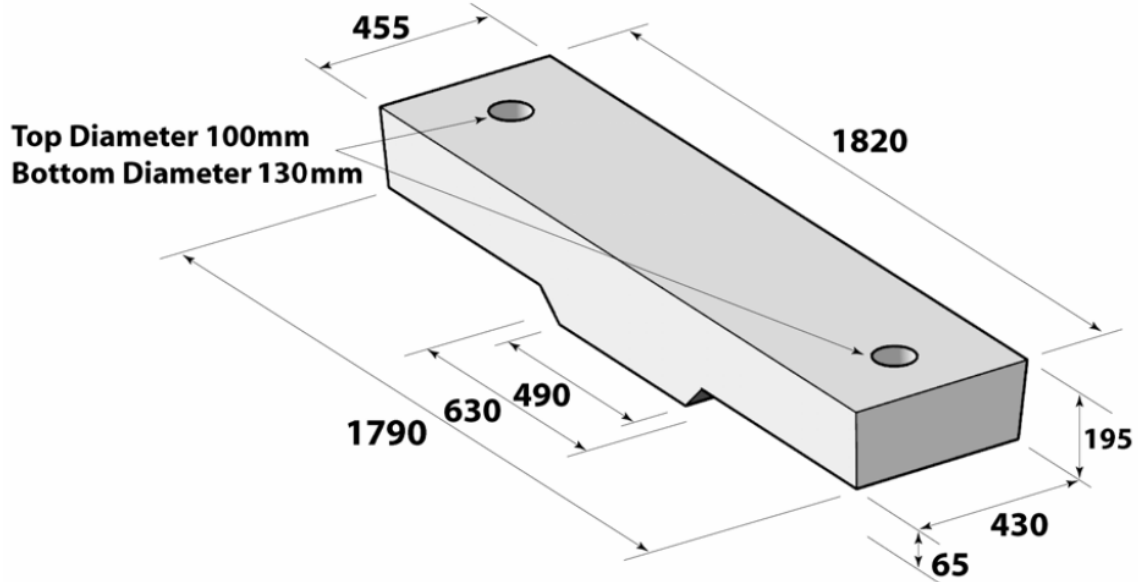
Slab**Nominal mass 26 kg**
Dimensions 481 x 240 x 39**Slab bundle (40 slabs per bundle)****Nominal mass 1040 kg**
Dimensions 963 x 481 x 429

Zinc-Aluminium alloys (Zn-Al)

Technical Datasheet

L block (jumbo)

Nominal mass $1135 \pm 45\text{kg}$
 Dimensions 1820 x 455 x 260



G block (jumbo)

Nominal mass $1089 \pm 30\text{kg}$
 Dimensions 1410 x 460 x 290

