

Special High Grade Zinc (SHG) 99.995%

Technical Datasheet

Uses

Zinc ingots of high purity for tube, wire, sheet or general galvanizing.

Nyrstar A-Z Z1 (99.995%) is an LME-approved brand, conforming to the specifications covering quality, shape and weight as defined by the special contract rules of the LME Standards.

Chemical specification

Chemical specification	Guaranteed analysis	Typical SHG analysis
Pb	≤ 0.003%	0.0023%
Cd	≤ 0.003%	0.0005%
Fe	≤ 0.002%	0.0003%
Sn	≤ 0.001%	0.0003%
Cu	≤ 0.001%	0.0002%
Al	≤ 0.001%	0.0001%
Total of 6 elements above Zn, min.	≤ 0.005%	0.0041%
	99.995%	

Standards

Standard	Grade
International ISO752:2004	ZN-1 Z1 Highest Pure Zinc Metal LME (Z12002)
European EN1179:2003	
Japanese JIS H2107-1957	
American ASTM B6:07 (UNS)	

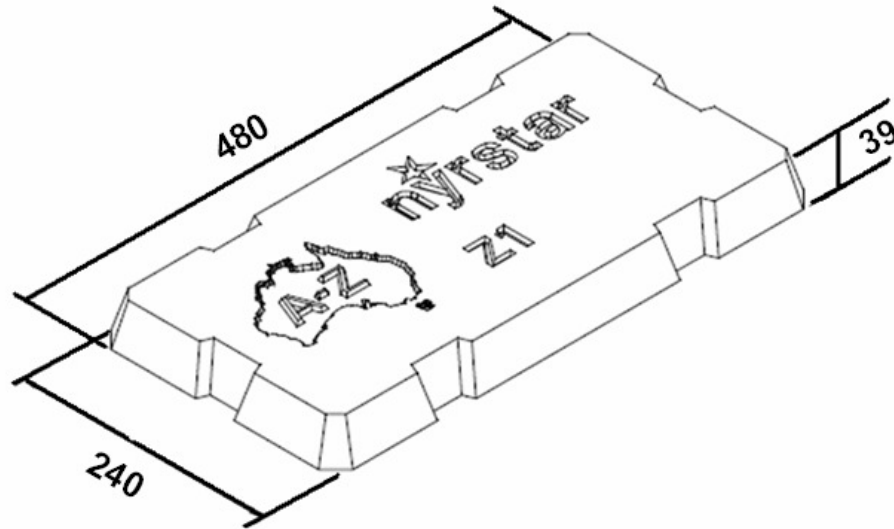
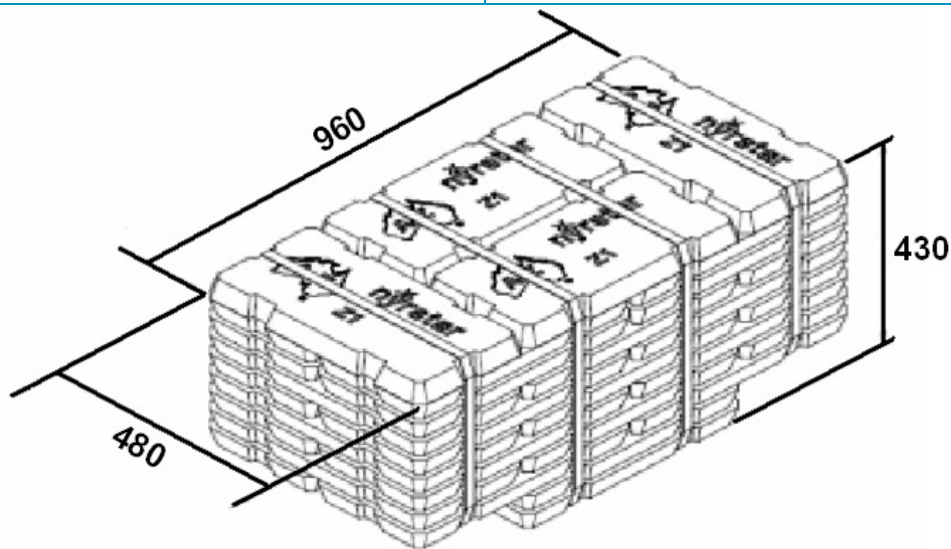
Physical data

Physical property	Unit	Value
Density solid	kg/dm ³	7.14
liquid (@ 419 °C)	kg/dm ³	6.62
Melting point	°C	419
Superficial tension (@ 450 °C)	N/m	0.78
Melting enthalpy	kJ/kg	100
Thermal capacity solid	J/kg K	460
liquid	J/kg K	628

Available shapes/package

Shape/package	Nominal weight (in kg)	Dimensions (in mm)
Slab	26	480 x 240 x 39
Slab bundle (40 slabs per bundle)	1040	960 x 480 x 430
K block	1100 ± 50	805 x 525 x 465
L block	1135 ± 45	1820 x 455 x 260
G block	1089 ± 30	1410 x 460 x 290

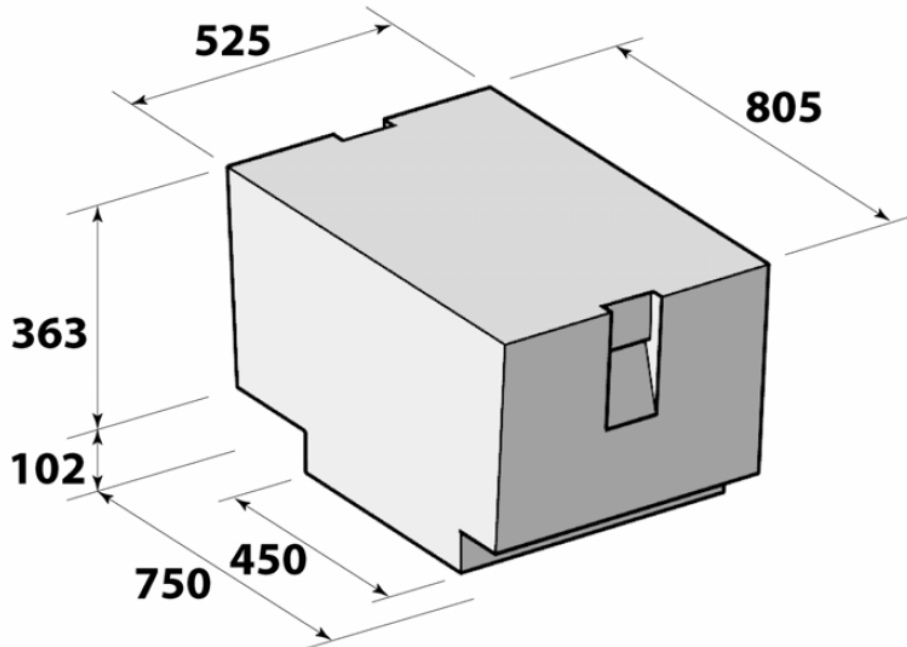
Special High Grade Zinc (SHG) 99.995% Technical Datasheet

Slab**Nominal mass 26 kg**
Dimensions 480 x 240 x 39**Slab bundle (40 slabs per bundle)****Nominal mass 1040 kg**
Dimensions 960 x 480 x 430

Special High Grade Zinc (SHG) 99.995% Technical Datasheet

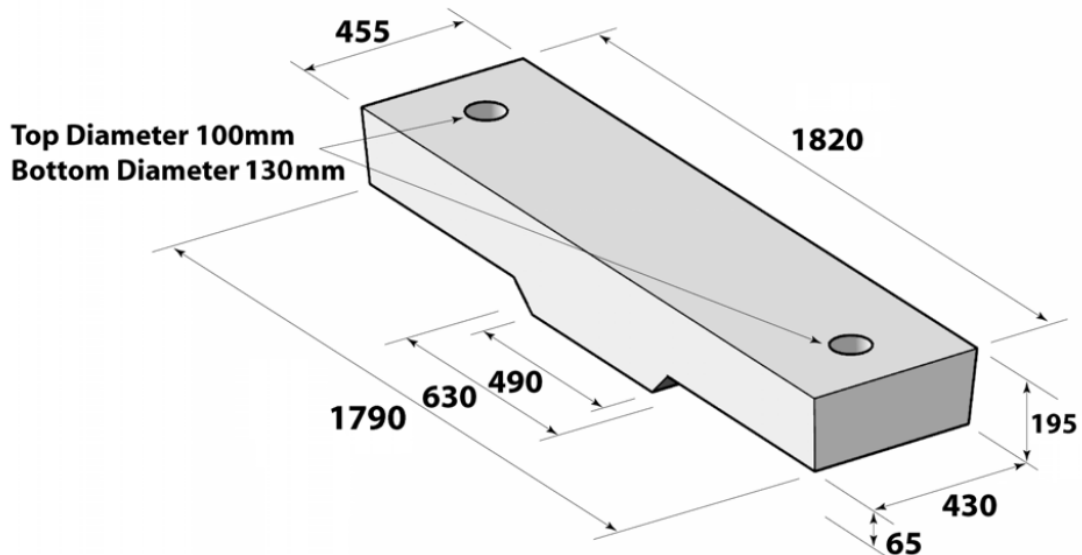
K block (jumbo)

Nominal mass 1100 ± 50kg
Dimensions 805 x 525 x 465



L block (jumbo)

Nominal mass 1135 ± 45kg
Dimensions 1820 x 455 x 260



Special High Grade Zinc (SHG) 99.995%

Technical Datasheet

G block (jumbo)

Nominal mass $1089 \pm 30\text{kg}$
Dimensions $1410 \times 460 \times 290$

