

ZnNi0.5%Bi0.15% (Technigalva[®] Plus)

Technical Datasheet

Uses

Pre-alloyed (lead free) Zinc-Nickel-Bismuth alloy suitable for hot dip galvanising of iron and steel products.

Chemical specification

Chemical specification	Guaranteed analysis	Tolerance
Ni	0.50%	± 0.05%
Bi	0.15%	± 0.03%
Pb	≤ 0.020%	
Cd	≤ 0.003%	
Fe	≤ 0.005%	
Sn	≤ 0.005%	
Cu	≤ 0.003%	
Al	≤ 0.005%	
Zn	balance	

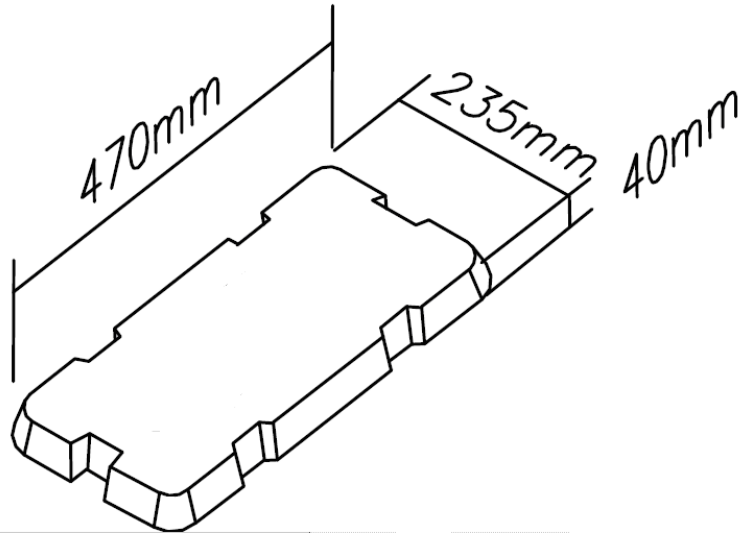
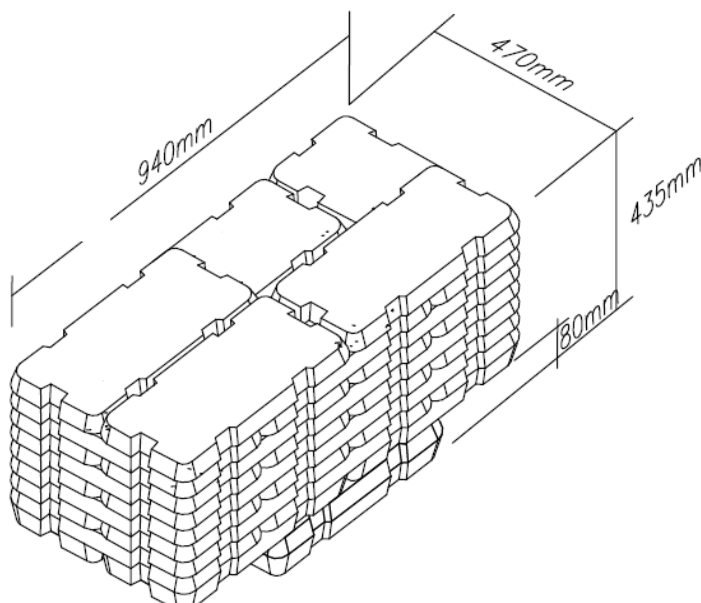
Physical data

Physical property	Unit	Value
Density solid	kg/dm ³	7.14
liquid (@ 419 °C)	kg/dm ³	6.62
Melting point	°C	419
Superficial tension (@ 450 °C)	N/m	0.78
Melting enthalpy	kJ/kg	100
Thermal capacity solid	J/kg K	460
liquid	J/kg K	628

Available shapes/package

Shape/package	Nominal weight (in kg)	Dimensions (in mm)
Slab	25	470 x 235 x 40
Slab Bundle (40 slabs per bundle) Colour marking: black	1000 ± 100	940 x 470 x 435
Block Jumbo 1450 kg Colour marking: dark blue Nickel symbol orange stripe	1400 ± 100	1532 x 567 x 307

ZnNi0.5%Bi0.15% (Technigalva® Plus) Technical Datasheet

Slab**Nominal mass 25 kg**
Dimensions 470 x 235 x 40**Slab bundle (40 slabs per bundle)****Nominal mass 1000 ± 100 kg**
Dimensions 940 x 470 x 435

ZnNi0.5%Bi0.15% (Technigalva® Plus) Technical Datasheet

Block (Jumbo) 1450 kg

Nominal mass 1400 ± 100 kg
Dimensions 1532 x 567 x 307

