

Special High Grade Zinc (SHG) 99.995%

Technical Datasheet

Uses

Zinc ingots of high purity for tube, wire, sheet or general galvanizing.

Nyrstar A-Z Z1 (99.995%) is an LME- and SHFE-approved brand, conforming to the specifications covering quality, shape and weight as defined by the special contract rules of the LME and SHFE Standards.

Chemical specification

Chemical specification	Guaranteed analysis
Pb	≤ 0.003%
Cd	≤ 0.002%
Fe	≤ 0.001%
Sn	≤ 0.001%
Cu	≤ 0.001%
Al	≤ 0.001%
Total of 6 elements above	≤ 0.005%
Zn, min.	99.995%

Standards

Standard	Grade (slabs only)
International ISO752:2004 China GB/T 470:2008 European EN1179:2003 Japanese JIS H2107-2015 American ASTM B6:18 (UNS)	ZN-1 Zn99.995 Z1 Highest Pure Zinc Metal LME (Z12002)

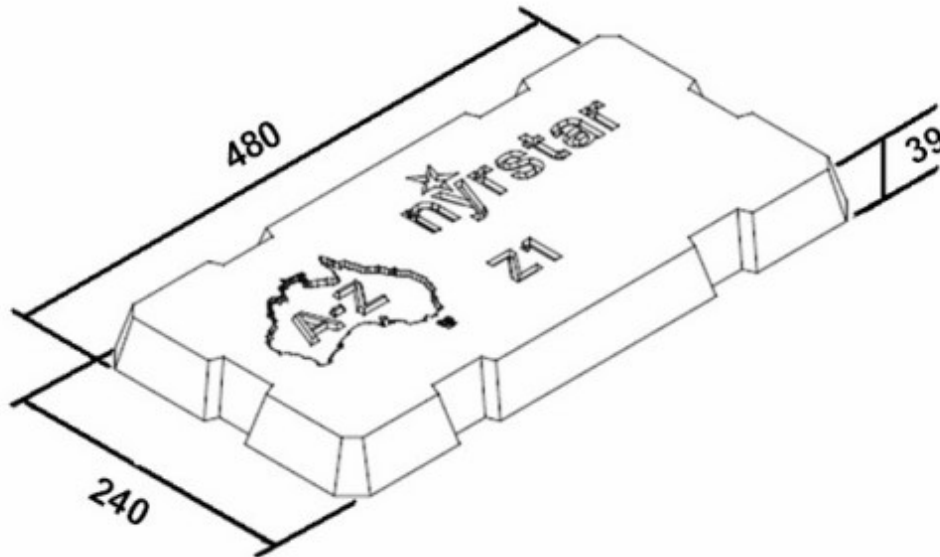
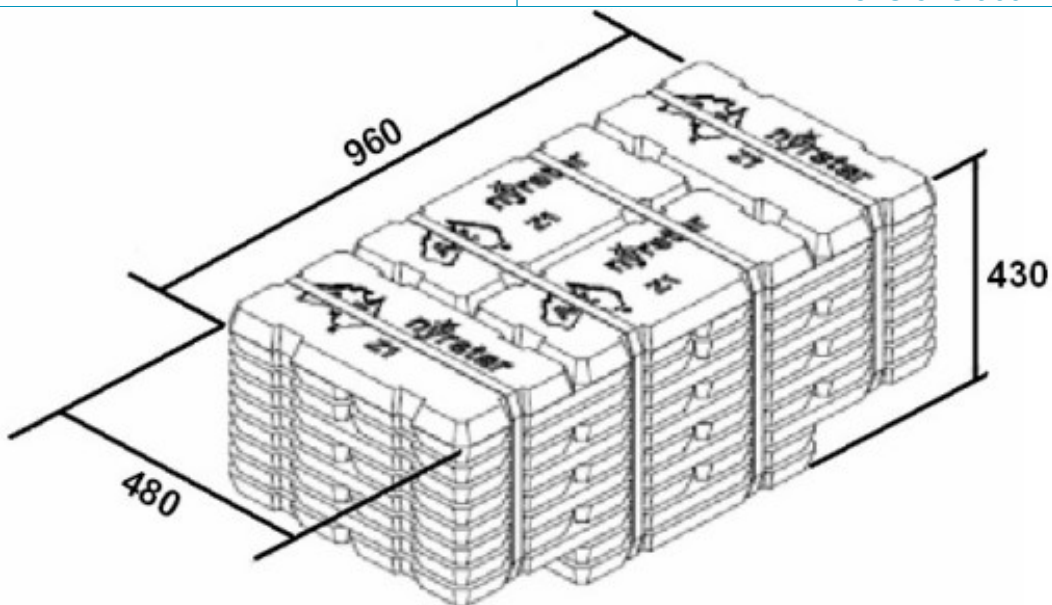
Physical data

Physical property	Unit	Value
Density solid	kg/dm ³	7.14
liquid (@ 419°C)	kg/dm ³	6.62
Melting point	°C	419
Superficial tension (@ 450°C)	N/m	0.78
Melting enthalpy	kJ/kg	100
Thermal capacity solid	J/kg K	460
liquid	J/kg K	628

Available shapes/package

Shape/package	Nominal weight (in kg)	Dimensions (in mm)
Slab	26	480 x 240 x 39
Slab bundle (40 slabs per bundle)	1040 ± 70	960 x 480 x 430
K block	1100 ± 50	805 x 525 x 465
L block	1135 ± 45	1820 x 455 x 260
G block	1089 ± 30	1410 x 460 x 290G block

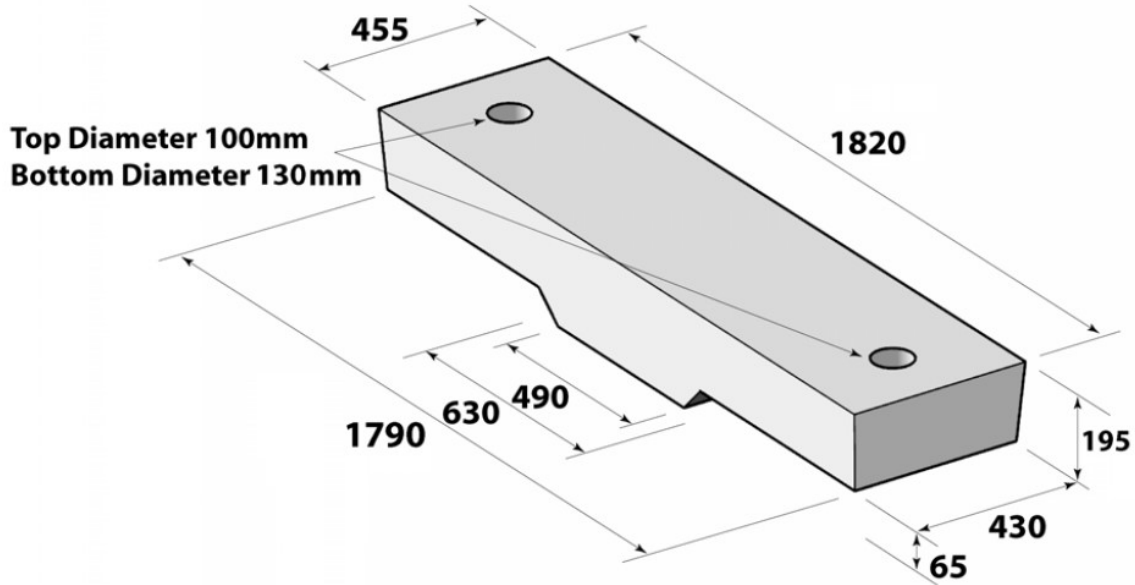
Special High Grade Zinc (SHG) 99.995% Technical Datasheet

Slab**Nominal mass 26kg**
Dimensions 480 x 240 x 39**Slab bundle (40 slabs per bundle)****Nominal mass 1040kg**
Dimensions 960 x 480 x 430

Special High Grade Zinc (SHG) 99.995% Technical Datasheet

**L block (Jumbo), 2 holes
Australia**

**Nominal mass 1135kg
Dimensions 1820 x 455 x 260**



**G block (Jumbo), 2 holes
Australia**

**Nominal mass 1089kg
Dimensions 1410 x 460 x 290**

