

Special High Grade Zinc (SHG) 99.995%

Technical Datasheet

Uses

Zinc ingots of high purity for tube, wire, sheet or general galvanizing.

Nyrstar NL Z1 (99.995%), a Nyrstar brand, is an LME-approved brand, conforming to the specifications covering quality, shape and weight as defined by the special contract rules of the LME Standards. BUDEL ZINK is a Nyrstar brand of Zinc block (Jumbo) of high purity- Z1 (99.995%) .

Chemical specification

Chemical specification	Guaranteed analysis
Pb	≤ 0.003%
Cd	≤ 0.003%
Fe	≤ 0.002%
Sn	≤ 0.001%
Cu	≤ 0.001%
Al	≤ 0.001%
Total of 6 elements above Zn, min.	≤ 0.005%
	99.995%

Standards

Standard	Grade
European EN1179:2003	Z1
International ISO752:2004	ZN-1
Japanese JIS H2107-1999	Highest Pure Zinc Metal
American ASTM B6-18	LME (Z12002)

Physical data

Physical property	Unit	Value
Density solid	kg/dm ³	7.14
liquid (@ 419°C)	kg/dm ³	6.62
Melting point	°C	419
Superficial tension (@ 450°C)	N/m	0.78
Melting enthalpy	kJ/kg	100
Thermal capacity solid	J/kg K	460
liquid	J/kg K	628

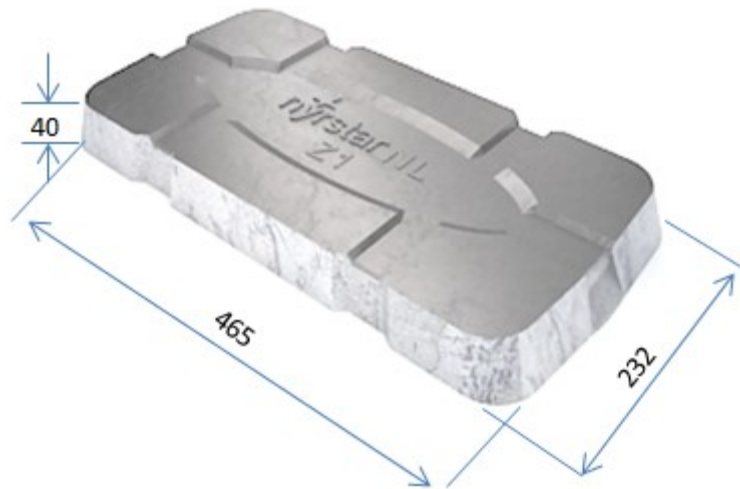
Available shapes/package

Shape/package	Nominal weight (in kg)	Dimensions (in mm)
Slab	25	465 x 232 x 40
Slab bundle (40 slabs per bundle)	1000 ± 100	930 x 460 x 440
Block Jumbo 1450 kg	1400 ± 100	1532 x 567 x 307
Block Jumbo 1950 kg	1950 ± 50	2135 x 490 x 370

Special High Grade Zinc (SHG) 99.995% Technical Datasheet

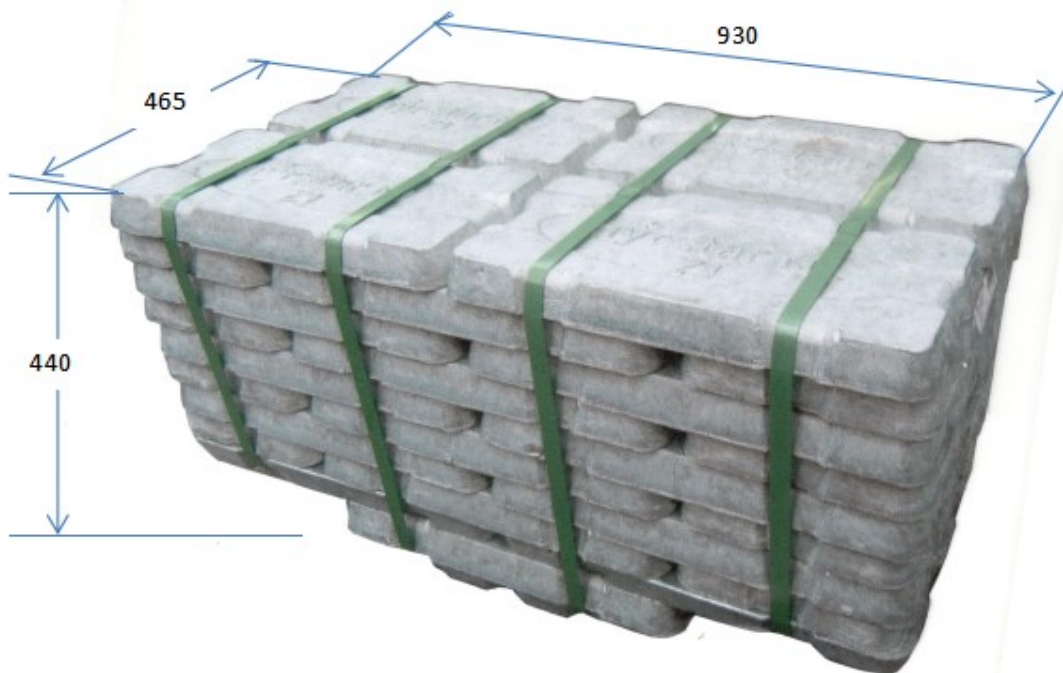
Slab (Ingot)

Nominal mass 25 kg
Dimensions 465 x 232 x 40



Slab bundle (40 slabs per bundle)

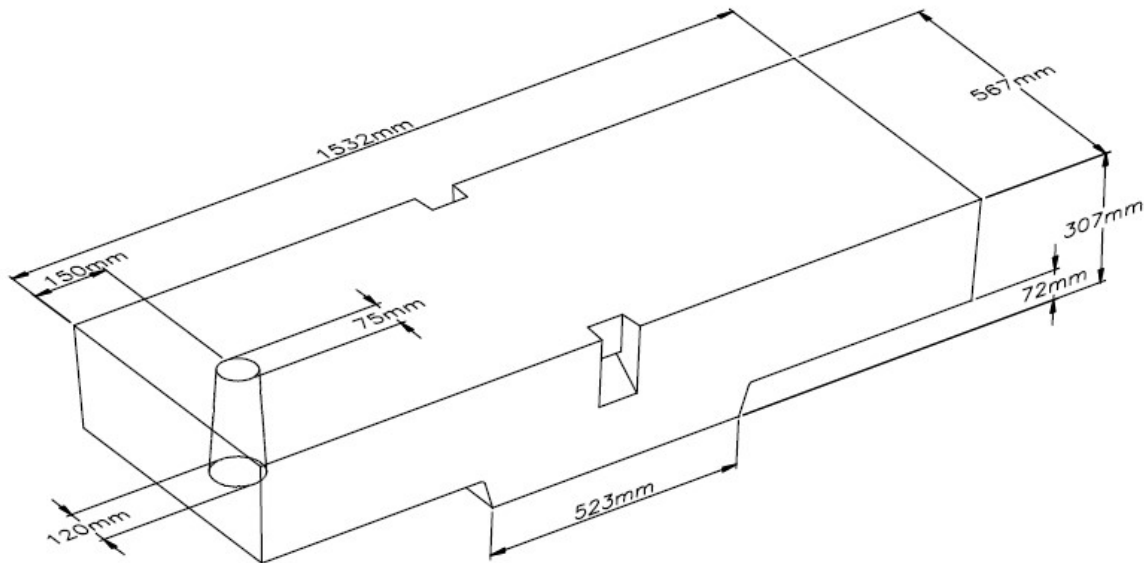
Nominal mass 1000 ± 100 kg
Dimensions 930 x 465 x 440



Special High Grade Zinc (SHG) 99.995% Technical Datasheet

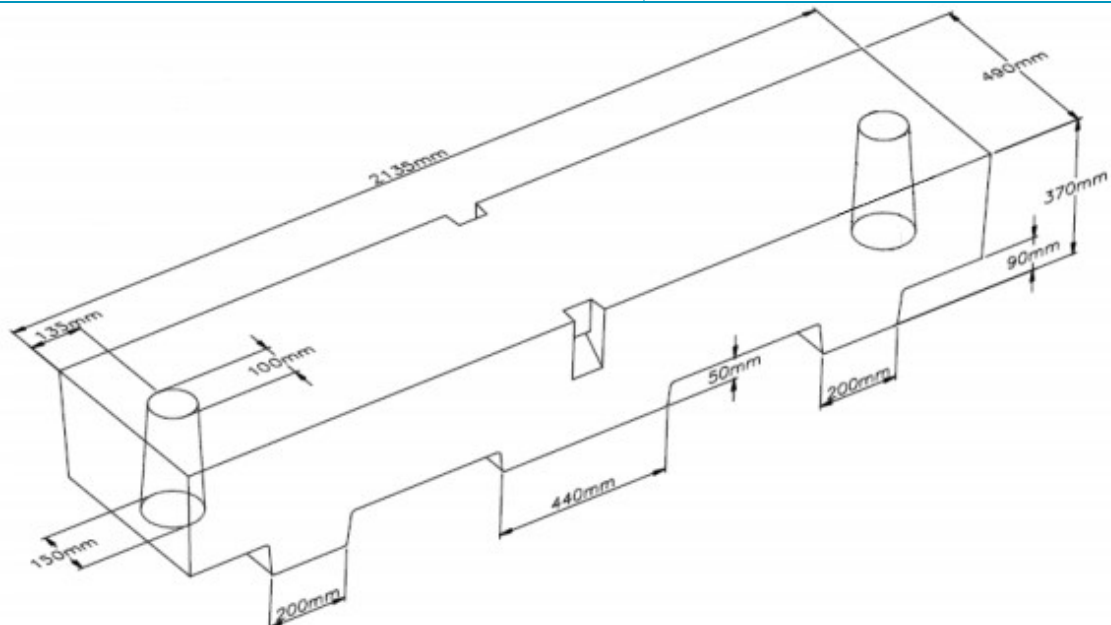
BUDEL ZINK Block (Jumbo) 1450 kg

Nominal mass 1400 ± 100 kg
Dimensions 1532 x 567 x 307



BUDEL ZINK Block (Jumbo) 1950 kg 2 holes*

Nominal mass 1950 ± 50 kg
Dimensions 2135 x 490 x 370



* One hole block is available based on commercial agreement