

Continuous Galvanizing Zn-Al-Mg Alloys

Technical Datasheet

Uses

Pre-alloyed (lead free) Zinc-Aluminum-Magnesium alloys suitable for continuous galvanizing of iron and steel products.

Chemical specification

Chemical specification*	Guaranteed analysis
Al	1.0 ~ 8.0%
Mg	0.5 ~ 3.0%
Pb	≤ 0.005%
Cd	≤ 0.003%
Fe	≤ 0.004%
Sn	≤ 0.001%
Cu	≤ 0.001%
Zn	balance

* Extra impurity elements or control tolerance might be added based on commercial agreement

Available shapes/package

Shape/package	Nominal weight (in kg)	Dimensions (in mm)
Europe Block Jumbo 1450 kg Block Jumbo 1950 kg	1400* 1900*	1532 x 567 x 307 2135 x 490 x 370

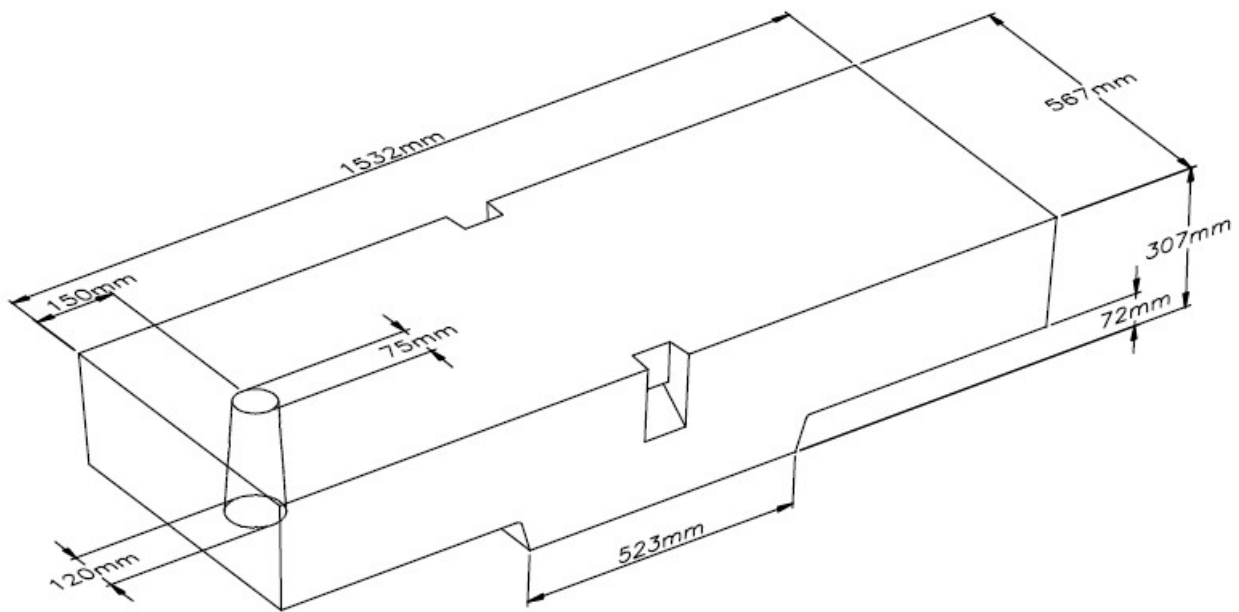
* Varies with Al/Mg content

Continuous Galvanizing Zn-Al-Mg Alloys

Technical Datasheet

Block (Jumbo) 1450 kg, 1 hole

Dimensions 1532 x 567 x 307



Block (Jumbo) 1950 kg, 2 holes

Dimensions 2135 x 490 x 370

