

Special High Grade Zinc (SHG) 99.995%

Technical Datasheet

Uses

Zinc Block/Jumbo of high purity for tube, wire, sheet or general galvanizing.
Balen SHG Zinc Block is a Nyrstar brand of Zinc block (Jumbo) of high purity- Z1 (99.995%) .

Chemical specification

Chemical specification	Guaranteed analysis
Pb	≤ 0.003%
Cd	≤ 0.003%
Fe	≤ 0.002%
Sn	≤ 0.001%
Cu	≤ 0.001%
Al	≤ 0.001%
Total of 6 elements above Zn, min.	≤ 0.005% 99.995%

Standards

Standard	Grade
European EN1179:2003 International ISO752:2004 Japanese JIS H2107-1999 American ASTM B6-12	Z1 ZN-1 Highest Pure Zinc Metal LME (Z12002)

Physical data

Physical property	Unit	Value
Density solid	kg/dm ³	7.14
liquid (@ 419°C)	kg/dm ³	6.62
Melting point	°C	419
Superficial tension (@ 450°C)	N/m	0.78
Melting enthalpy	kJ/kg	100
Thermal capacity solid	J/kg K	460
liquid	J/kg K	628

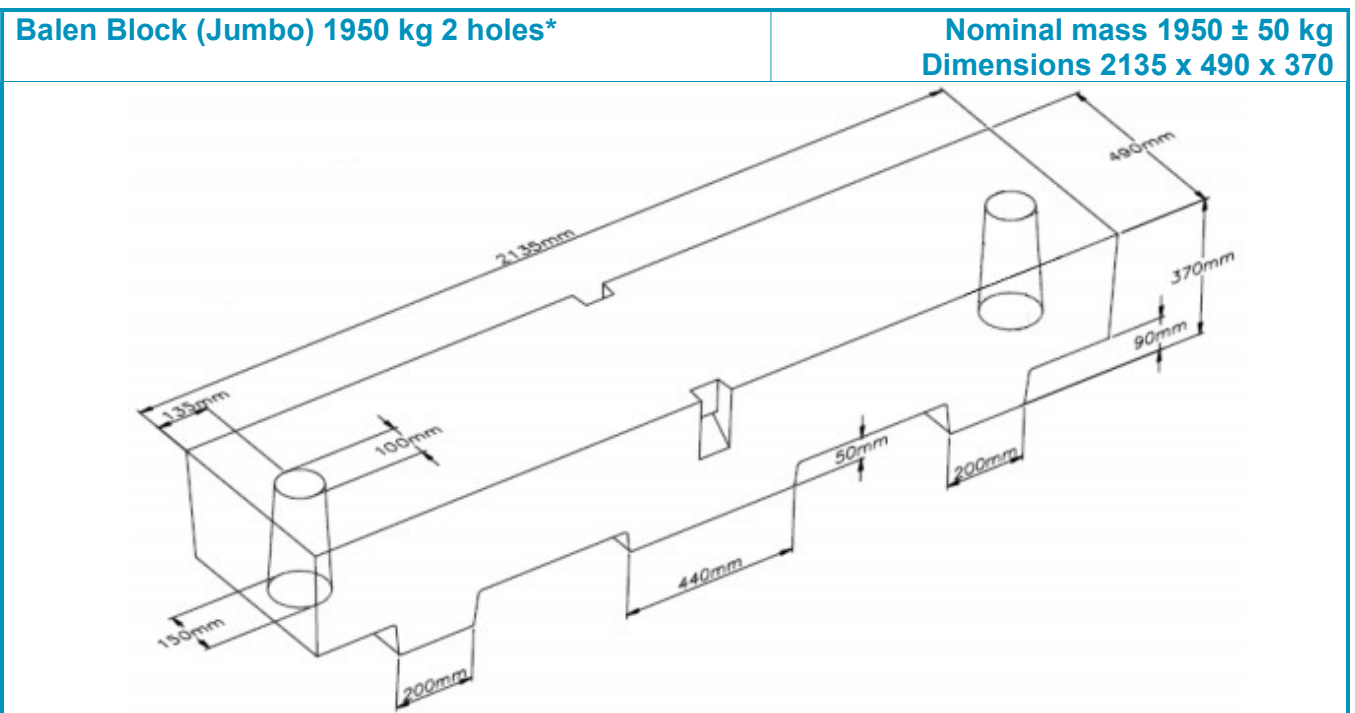
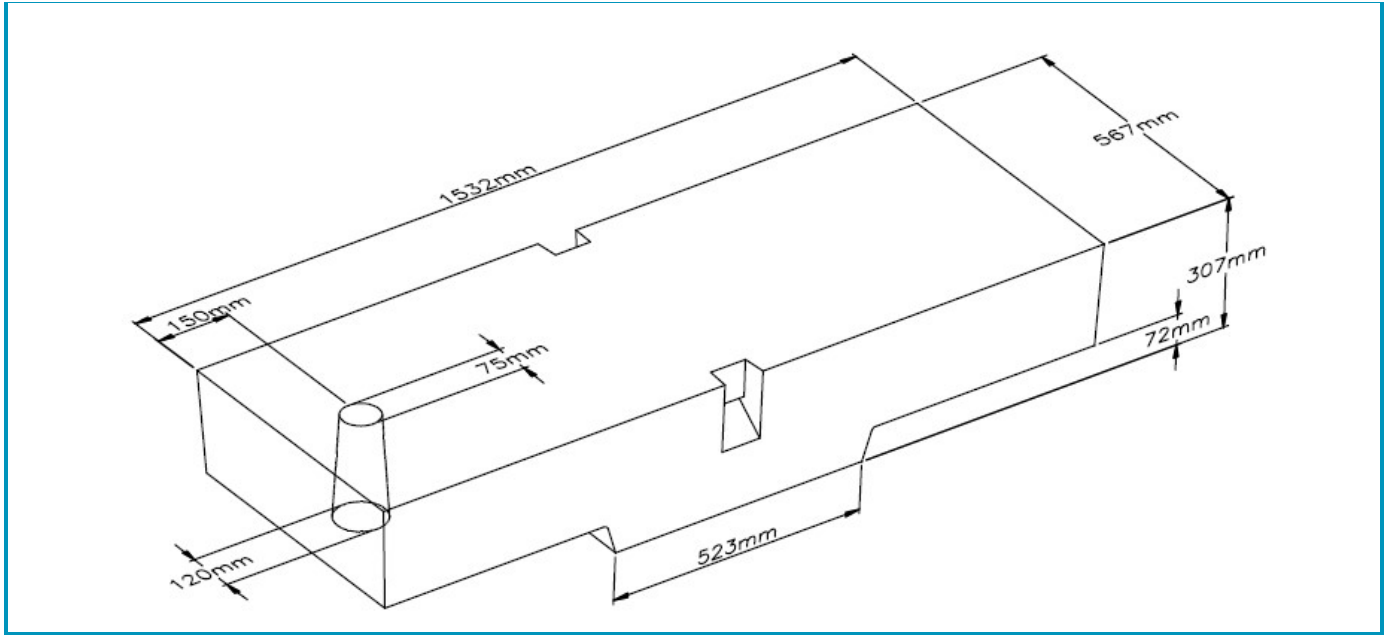
Available shapes/package

Shape/package	Nominal weight (in kg)	Dimensions (in mm)
Block Jumbo 1450 kg Block Jumbo 1950 kg	1400 ± 100 1950 ± 50	1532 x 567 x 307 2135 x 490 x 370

Balen Block (Jumbo) 1450 kg

Nominal mass 1400 ± 100 kg
Dimensions 1532 x 567 x 307

Special High Grade Zinc (SHG) 99.995% Technical Datasheet



* One hole block is available based on commercial agreement