

High-Aluminium Zinc alloys (AX alloys)

Technical Datasheet

Uses

High-Aluminium Zinc alloys to supply or maintain the aluminium content of the zinc bath for hot-dip galvanization of fabricated products and continuous galvanizing of tube, wire or sheet. Alloy with an Al content selected to give the best aluminium incorporation efficiency.

Chemical specification

Chemical composition*	A5 (jumbos)	A5 (Slab)	A10 (Slab)	A15 (Slab)
Al	4.0 – 5.0%	4.7 – 5.3%	9.5 – 10.5%	14 – 16%
Pb	≤ 0.01%	≤ 0.01%	≤ 0.01%	≤ 0.01%
Cd	≤ 0.003%	≤ 0.003%	≤ 0.003%	≤ 0.003%
Fe	≤ 0.02%	≤ 0.02%	≤ 0.02%	≤ 0.035%
Sn	≤ 0.001%	≤ 0.001%	≤ 0.001%	≤ 0.001%
Cu	≤ 0.001%	≤ 0.03%	≤ 0.03%	≤ 0.03%
Mg	≤ 0.002%	≤ 0.02%	≤ 0.02%	≤ 0.02%
Zn	balance	balance	balance	balance

- Extra impurity elements or control tolerance might be added based on commercial agreement

Physical data

Physical property	A5	A10 (Slab)	A15 (Slab)
Density (solid @20°C) (kg/dm ³)	~6.5	~6.1	~5.6
Solidification range (°C)	382~385	382~422	382~450

Available shapes/package

Shape/package	Nominal weight (in kg)	Dimensions (in mm)
Slabs		
Slab	6.1 ~ 8.1	515 x 120 x 40
Foot	10.4 ~ 13.8	510 x 110 x 120
Slab bundle (72 + 4 slabs per bundle)	474 ~ 631	515 x 515 x 620
Jumbos		
1325 kg	1325 ± 100	1532 x 567 x 307
1800 kg	1800 ± 100	2135 x 490 x 370

High-Aluminium Zinc alloys (AX alloys) Technical Datasheet

Slab (72 slabs per bundle)	Nominal mass 6.1 ~ 8.1kg Dimensions 515 x 120 x 40

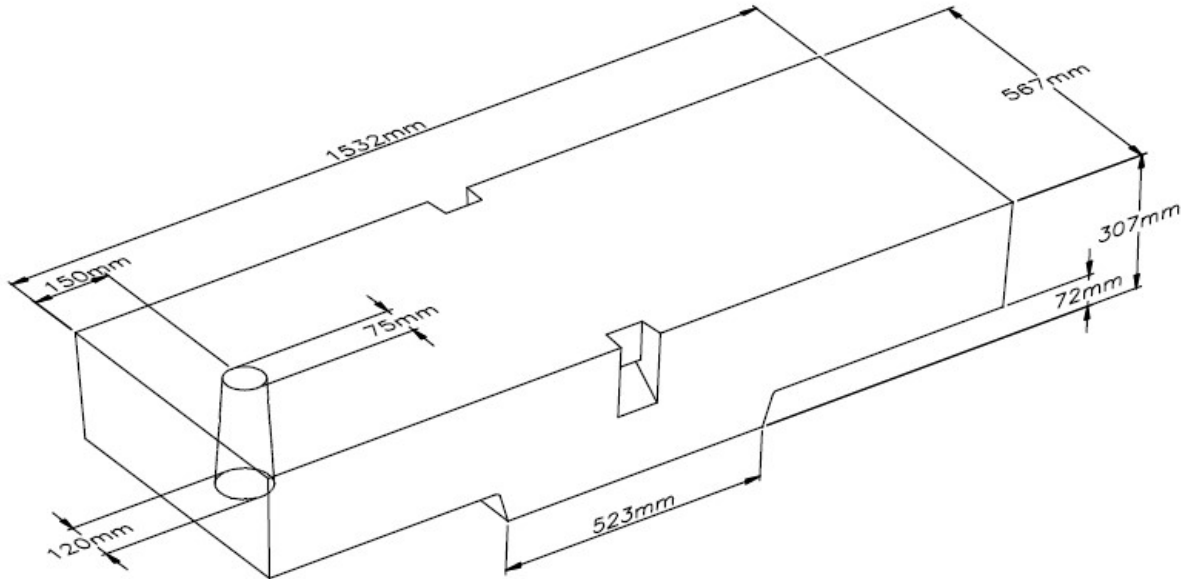
Feet (4 per bundle)	Nominal mass 10.4 ~ 13.8 kg Dimensions 510 x 110 x 120

Slab bundle (72 slabs + 4 feet per bundle)	Nominal mass 474 ~ 631 kg Dimensions 515 x 515 x 620

High-Aluminium Zinc alloys (AX alloys) Technical Datasheet

BUDEL ZINK Block (Jumbo) 1325 kg

Nominal mass 1325 ± 100 kg
Dimensions 1532 x 567 x 307



BUDEL ZINK Block (Jumbo) 1800 kg 2 holes

Nominal mass 1800 ± 100 kg
Dimensions 2135 x 490 x 370

