

Continuous Galvanizing Grade (ZnAl alloys)

Technical Datasheet

Uses

Pre-alloyed (lead free) Zinc-Aluminium alloys suitable for continuous galvanizing of iron and steel products.

Chemical specification

Chemical specification*	Guaranteed analysis	Tolerance
Al	0.1 – 1.0%	± 0.05%
Pb	≤ 0.004%	
Cd	≤ 0.003%	
Fe	≤ 0.004%	
Sn	≤ 0.001%	
Cu	≤ 0.002%	
Zn	balance	

* Extra impurity elements or control tolerance might be added based on commercial agreement

Physical data

Physical property	Unit	Value
Density solid	kg/dm ³	7.14
liquid (@ 419°C)	kg/dm ³	6.62
Melting point	°C	419
Superficial tension (@ 450°C)	N/m	0.78
Melting enthalpy	kJ/kg	100
Thermal capacity solid	J/kg K	460
liquid	J/kg K	628

Available shapes/package

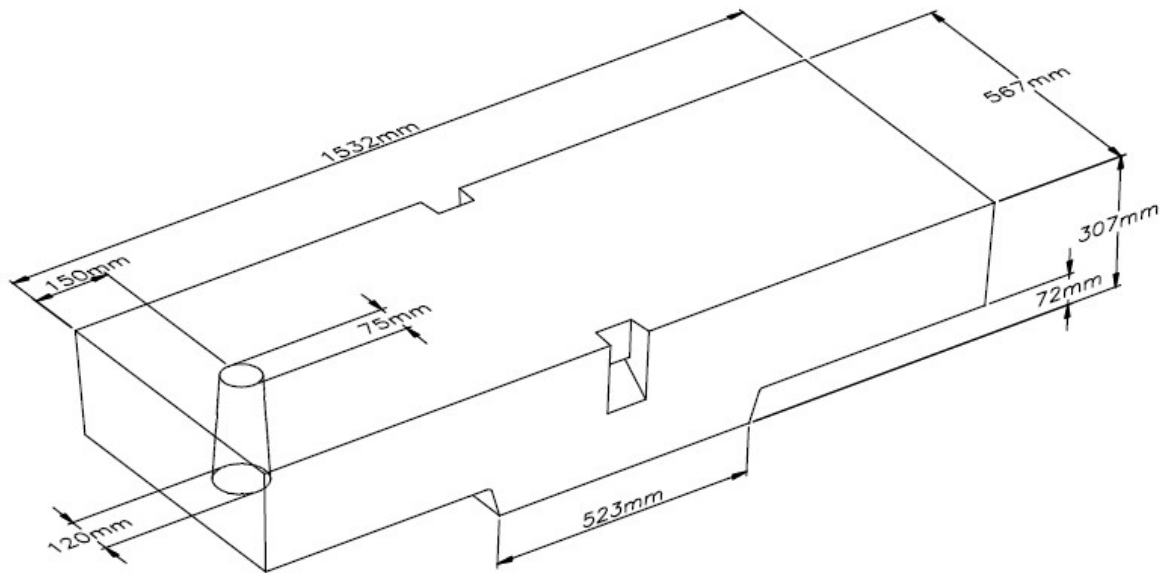
Shape/package	Nominal weight (in kg)	Dimensions (in mm)
Europe		
Block Jumbo 1450 kg	1450 ± 100	1532 x 567 x 307
Block Jumbo 1950 kg	1950 ± 50	2135 x 490 x 370

Continuous Galvanizing Grade (ZnAl alloys)

Technical Datasheet

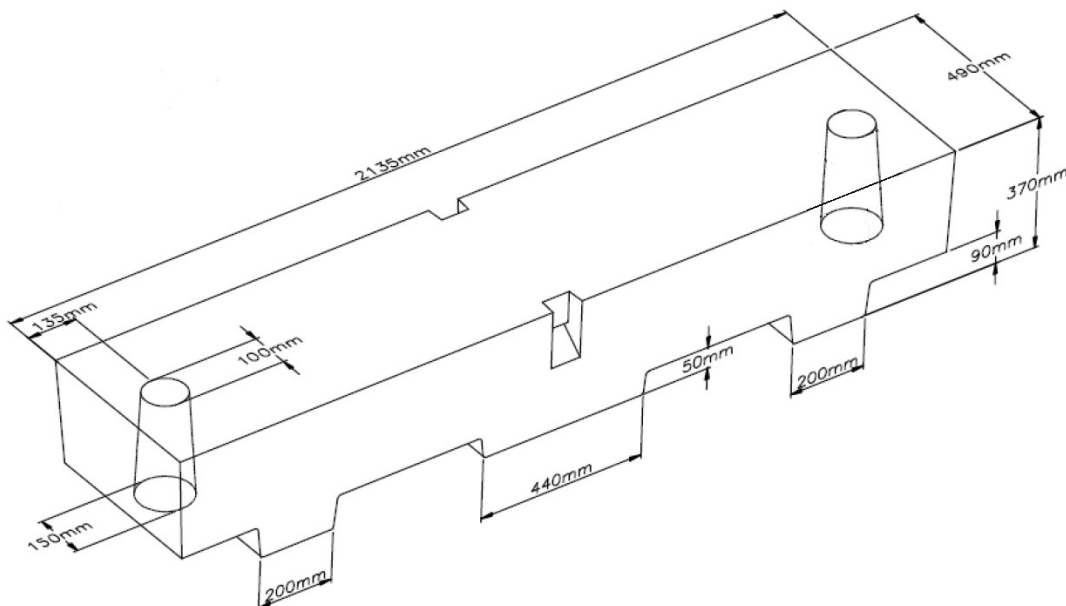
Block (Jumbo) 1450 kg, 1 hole
Europe

Nominal mass 1450 ± 100 kg
Dimensions 1532 x 567 x 307



Block (Jumbo) 1950 kg, 2 holes*
Europe

Nominal mass 1950 ± 50 kg
Dimensions 2135 x 490 x 370



* One hole block is available based on commercial agreement