

Special High Grade Zinc (SHG) 99.995%

Technical Datasheet

Uses

Zinc ingots of high purity for tube, wire, sheet or general galvanizing.

Nyrstar Clarksville Z1 (99.995%), formerly known as JMZ, is an LME-approved brand, conforming to the specifications covering quality, shape and weight as defined by the special contract rules of the LME Standards.

Chemical specification

Chemical specification	Guaranteed analysis	Typical SHG analysis (2016)
Pb	≤ 0.003%	0.0019%
Cd	≤ 0.003%	0.0002%
Fe	≤ 0.002%	0.0002%
Sn	≤ 0.001%	0.0001%
Cu	≤ 0.001%	0.0002%
Al	≤ 0.001%	0.0001%
Total of 6 elements above Zn, min.	≤ 0.005%	0.0031%
	99.995%	

Standards

Standard	Grade
European EN1179:2003	Z1
International ISO752:2004	ZN-1
Japanese JIS H2107-1999	Highest Pure Zinc Metal
American ASTM B6-12	LME (Z12002)

Physical data

Physical property	Unit	Value
Density solid	kg/dm ³	7.14
liquid (@ 419°C)	kg/dm ³	6.62
Melting point	°C	419
Superficial tension (@ 450°C)	N/m	0.78
Melting enthalpy	kJ/kg	100
Thermal capacity solid	J/kg K	460
liquid	J/kg K	628

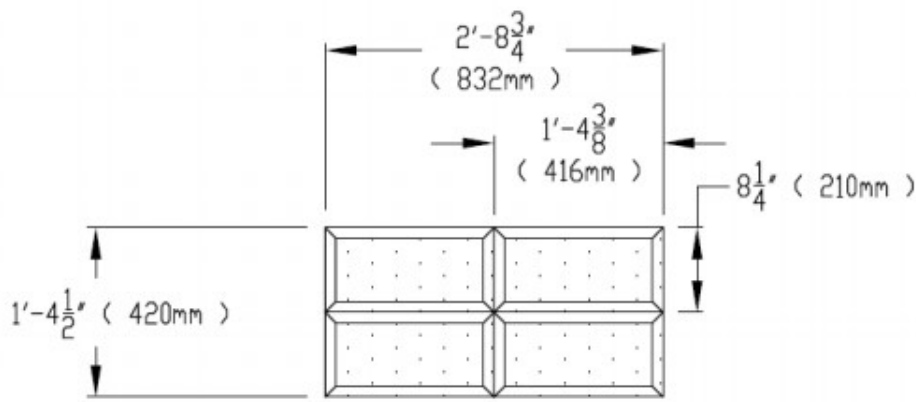
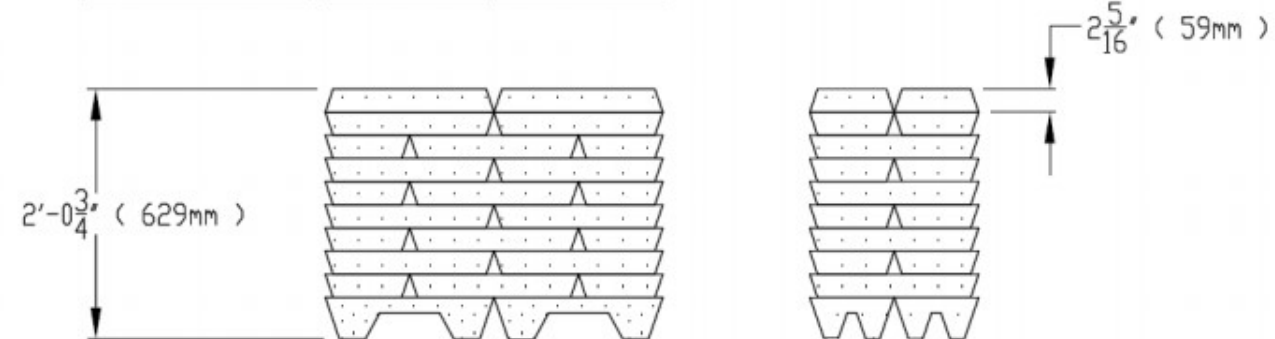
Available shapes/package

Shape/package	Nominal weight (in kg)	Dimensions (in mm)
Slab	27	416 x 210 x 59
Slab bundle (40 slabs per bundle)	1089	832 x 420 x 629
ASTM Jumbo	1089	1257 x 500 x 318

Special High Grade Zinc (SHG) 99.995%

Technical Datasheet

Slab (Ingot)	Nominal mass 27 kg Dimensions 416 x 210 x 59
	

Slab bundle (40 slabs per bundle)	Nominal mass 1089 kg Dimensions 832 x 420 x 629
	

Special High Grade Zinc (SHG) 99.995%

Technical Datasheet

ASTM Block (Jumbo)

Nominal mass 1089 kg
Dimensions 1257 x 500 x 318

